



300Mbps

Wireless N
VDSL2/ADSL2+
Modem Router

Model: V301

All-in-one

High speed Internet access, NAT Router, Ethernet Switch, Access point in VDSL Modem.

Easy to use

Run with passing simple wizard less than a minute.

For Home users and small business:

This modem can provide an Internet connection at speeds of up to 100Mbps. It also facilitates connecting to wireless or Wi-Fi hotspots at a rate of 300 Mbps. One DSL port (RJ11), two LAN ports (RJ45), and WLAN 802.11n are equipped by V301. A user-friendly web-based interface is provided to manage the modem setting. The V301 modem is designed for high-speed Internet distribution in homes and small businesses.

مخصوص کاربران نیمه حرفه ای و مشاغل کوچک

این دستگاه ارایه اینترنت (داده و ویدئو) با سرعت 100 مگابیت بر ثانیه با بهره گیری از استانداردهای VDSL2 را برای شما میسر می سازد. مودم روتر V301 دارای دو پورت شبکه با سرعت های 100 مگابیت بر ثانیه بوده و از طریق رابط کاربری تحت وب امکان تنظیمات پیشرفته مودم و ارتباطی امن را به مشترک می دهد.



300Mbps Wireless N VDSL2/ADSL2+ Modem Router

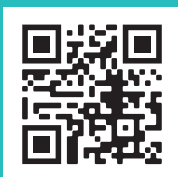
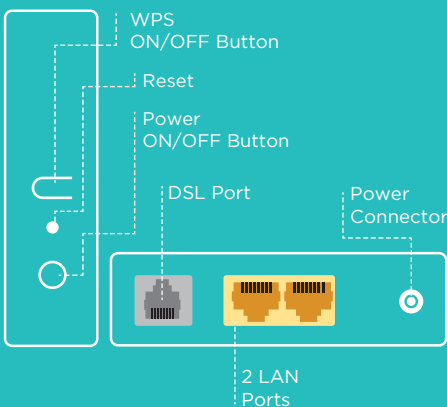
Model: **V301**

All-in-one

High speed Internet access, NAT Router, Ethernet Switch, Access point in VDSL Modem.

Easy to use

Run with passing simple wizard less than a minute.



scan to
learn more

Overview

U.TEL V301 prepares stable and fast connection to internet with VDSL2 technology.

Key Features

Package Contents

- 1 x Modem Router (V301)
- 1 x RJ45 Ethernet Cable
- 2 x Phone Cable
- 1 x Splitter
- 1 x Installation Guide
- 1 x Power Adapter
- 1 x Warranty Card

Specifications

- Dimensions: 130 x 120 x 25mm (max thickness)
- Weight: 250g

Interface

- Wireless 300Mbps
- LAN Ports: 2 x RJ45
- DSL Port: 1 x RJ11
- Antennas: Internal MIMO 2x2

LEDs

- Power
- DSL
- Internet
- LAN1
- LAN2
- WLAN
- WPS

Power Adapter

- 12V DC, 1A

Key Features

- IEEE G.993.2 VDSL2
- IEEE G.992.5 ADSL2+
- IEEE 802.11 b/g/n
- IEEE 802.11n
- Support ATM and PTM
- IPv4, IPv6 support
- WEP/WPA/WPA2/WPA2 Mixed
- Port Mapping
- NAT router
- QoS
- Firewall/MAC, IP, Domain Filter
- Syslog monitoring

Support

Unconditional technical support