



300Mbps

Wireless N

ADSL2+ Modem Router

Model:A304U

All-in-one

Found NAT Router, ADSL Modem, Access point, Ethernet Switch simultaneously in a device.

Easy to Use

Run with a passing simple wizard less than a minute.

Triple Play

Streaming Video, Music and live game beside Internet surfing and file transferring.

For professional users and home use:

This modem can provide an Internet connection at speeds of up to 24Mbps for download and 2Mbps for upload. It also facilitates connecting to wireless or Wi-Fi hotspots at a rate of 300Mbps. One DSL port (RJ11), four LAN ports (RJ45), a USB 2.0 port, and WLAN 802.11n are equipped by A304U. A user-friendly web-based interface is provided to manage the modem setting. The A304U modem is designed for high-speed Internet distribution in homes and small businesses. The user can use the USB port on this device and can access and store information in the cache.

مخصوص کاربران حرفه ای و مصارف خانگی

مودم A304U توان برقراری ارتباط با اینترنت را تا سرعت ۲۴ مگابیت در ثانیه جهت دریافت (دانلود) و سرعت ۲ مگابیت در ثانیه جهت ارسال (آپلود) و همچنین توانایی ایجاد شبکه بی سیم (Wi-Fi) با سرعت انتقال داده ۳۰۰ مگابیت در ثانیه را دارا می باشد. این دستگاه دارای یک درگاه تلفن (RJ11)، چهار درگاه اتصال شبکه (RJ45) و یک درگاه USB 2.0 می باشد که امکان هم رسانی و ذخیره سازی بر روی Flash Memory را برای کاربران مهیا می سازد. این مودم از طریق رابط کاربری مناسب، به صورت Web-Based قابل کنترل می باشد.

مودم A304U به منظور اشتراک گذاری اینترنت پرسرعت در مصارف خانگی حرفه ای و سازمان های بزرگ طراحی شده است و با بکارگیری استانداردها و قابلیت های کلیدی، یک انتخاب مطمئن و ایده آل می باشد.



300Mbps Wireless N ADSL2+ Modem Router

Model:A304U

All-in-one

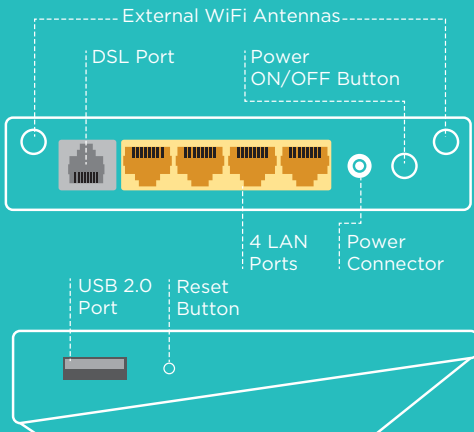
Found NAT Router, ADSL Modem, Access point, Ethernet Switch simultaneously in a device.

Easy to Use

Run with a passing simple wizard less than a minute.

Triple Play

Streaming Video, Music and live game beside Internet surfing and file transferring.



scan to
learn more

Parameter	Specification	
System Specifications		
Chipset	RTL8676S+RTL8271B+RTL8192ERE	
RAM	64/32/16/8 MB DDR/SDR (inside the RTL8676S)	
Flash	8MB	
Feature and Technical Specifications		
Wireless Features	Standard	IEEE802.11 b/g/n
	Frequency band	IEEE802.11 b/g/n
	Wireless data rate	<ul style="list-style-type: none"> • 802.11b: 1, 2, 5.5, 11 Mbps per channel, auto fallback for extended range • 802.11g: 6, 9, 12, 18, 24, 36, 48, 54 Mbps per channel, auto fallback for extended • HT20: up to 150 Mbps • HT40: up to 300 Mbps
	Transmission distance	varying depending on the actual environment: <ul style="list-style-type: none"> • 100M indoors coverage area. • 300M outdoors coverage area.
Security	64bit, 128bit WEP, AES, TKIP, WPA, WPA2, 802.1X	
Parameter		
Specification		
Status Enquiry	<ul style="list-style-type: none"> • SNTP • URL filtering, blacklist and white list filtering, supporting up to 20 URL • DMZ • System information • ADSL information • Host list at the LAN end • WAN connection status and statistics information • LAN statistics information 	
Configuration Management	<ul style="list-style-type: none"> • Web, TR069 and SNMP configuration management • Telnet and SSH • Restore to the factory defaults and keep key parameters, reboot the router • Two-Level user management, including administrator and user • Ping diagnostics, ADSL Statistics • Software version upgrade, double Image backup, and HTTP and download the configuration file from HTTP and TFTP • Record log, upload log through TFTP, clear log, and download log 	
External Connectors	<ul style="list-style-type: none"> • 1 × RJ11 DSL interface • 1 × WPS/WLAN button • 1 × Reset button • 4 × RJ45 Ethernet interfaces • 1 × Power interface • 1 × Power switch • 1 × USB host 2.0 interface 	
Consumption	7W	

Environment Requirements	
Operating Temperature	0°C—40°C
Storage Temperature	-20°C—70°C
Operating Humidity	10%—95%, non-condensing
Storage Humidity	5%—95%, non-condensing
Power Supply	12V DC, 1A
EMC and Safety	
Regulatory Compliance	FCC CE
Safety Regulations	UL
Green Standard	RoHS
Physical Characteristics	
Physical Dimension	L × W × H: 108 mm × 146 mm × 29mm
Weight	215g