



## 150Mbps

Wireless N

ADSL2+ Modem Router

**Model:A304+**

### All-in-one

Found NAT Router, ADSL Modem, Access point, Ethernet Switch simultaneously in a device.

### Easy to Use

Run with a passing simple wizard less than a minute.

### Triple Play

Streaming Video, Music and live game beside Internet surfing and file transferring.

### For professional users and home use:

This modem can provide an Internet connection at speeds of up to 24Mbps for download and 2Mbps for upload. It also facilitates connecting to wireless or Wi-Fi hotspots at a rate of 150Mbps. One ADSL port (RJ11), four LAN ports (RJ45), and WLAN 802.11n are provided by A304+. A user-friendly web-based interface is provided to manage the modem setting. The A304+ modem is designed for high-speed Internet distribution in homes and small businesses.

### مخصوص استفاده کاربران خانگی و مشاغل کوچک

این مودم توان برقراری ارتباط با اینترنت را تا سرعت 24 مگابیت در ثانیه جهت دریافت (دانلود) و ۲ مگابیت در ثانیه جهت ارسال (آپلود) و هم چنین توانایی ایجاد شبکه بی سیم (Wi-Fi) با سرعت انتقال داده ۱۵۰ مگابیت در ثانیه را دارا می باشد. این دستگاه دارای یک درگاه تلفن (RJ11) و چهاردرگاه اتصال شبکه (RJ45) بوده و از طریق رابط کاربری مناسب، به صورت Web-Based قابل کنترل می باشد. مودم A304+ به منظور اشتراک گذاری اینترنت پرسرعت در مصارف خانگی و سازمان های کوچک طراحی شده است و با بکارگیری استانداردها و قابلیت های کلیدی، یک انتخاب مطمئن و ایده آل می باشد.



# 150Mbps Wireless N ADSL2+ Modem Router

**Model:A304+**

## All-in-one

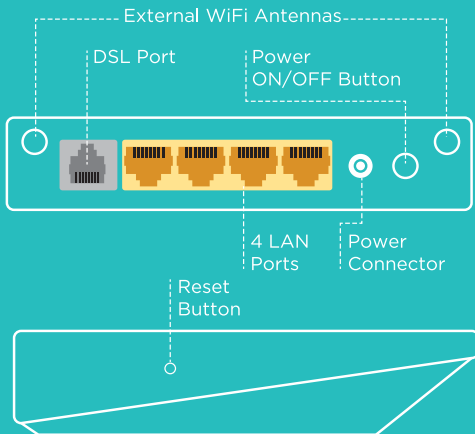
Found NAT Router, ADSL Modem, Access point, Ethernet Switch simultaneously in a device.

## Easy to Use

Run with a passing simple wizard less than a minute.

## Triple Play

Streaming Video, Music and live game beside Internet surfing and file transferring.



scan to  
learn more

Parameter	Specification	
<b>System Specifications</b>		
Chipset	RTL8676S+RTL8271B+RTL8188ERE	
RAM	16MB DDR/SDR (inside the RTL8676S)	
Flash	4MB	
<b>Feature and Technical Specifications</b>		
Wireless Features	Standard	IEEE802.11b/g/n
	Frequency band	<ul style="list-style-type: none"> <li>• 802.11b: ISM band 2400-2484 MHz</li> <li>• 802.11g: ISM band 2400-2484 MHz</li> <li>• 802.11n: 2422-2452 MHz</li> <li>• 2400-2483.5 MHz</li> </ul>
	Wireless data rate	<ul style="list-style-type: none"> <li>• 802.11b: 1,2,5.5,11 Mbps per channel</li> <li>• 802.11g: 6,9,12,18,24,36,48,54 Mbps</li> <li>• HT20: up to 150Mbps</li> </ul>
	Transmission distance	varying depending on the actual environment: <ul style="list-style-type: none"> <li>• 100M indoors coverage area.</li> <li>• 300M outdoors coverage area.</li> </ul>
	Security	64-bit, 128-bit WEP, AES, TKIP, WPA, WPA2, 802.1x
Parameter	Specification	
Status Enquiry	<ul style="list-style-type: none"> <li>• System information</li> <li>• ADSL information</li> <li>• Host list at the LAN end</li> <li>• WAN connection status and statistics information</li> <li>• LAN statistics information</li> </ul>	
Configuration Management	<ul style="list-style-type: none"> <li>• Web, TRO69 and SNMP configuration management</li> <li>• Telnet and SSH</li> <li>• Restore to the factory defaults and keep key parameters, reboot the router</li> <li>• Two-level user management, including administrator and user Configuration Management</li> <li>• Ping diagnosis, software version upgrade, double Image backup, and HTTP upgrade</li> <li>• Upgrade and download of the configuration file of HTTP and TFTP</li> <li>• Record log, upload log through TFTP, clear log, and download log</li> </ul>	
External Connectors	<ul style="list-style-type: none"> <li>• 1x RJ11 DSL interface</li> <li>• 1x WPS/WLAN button</li> <li>• 1x Reset button</li> <li>• 4x RJ45 Ethernet interfaces</li> <li>• 1x Power interface</li> <li>• 1x Power switch</li> </ul>	
Consumption	5W	

Environment Requirements	
Operating Temperature	0°C—40°C
Storage Temperature	-20°C—70°C
Operating Humidity	10%—95%, non-condensing
Storage Humidity	5%—95%, non-condensing
Power Supply	12V DC, 1A
<b>EMC and Safety</b>	
Regulatory Compliance	FCC CE
Safety Regulations	UL
Green Standard	RoHS
<b>Physical Characteristics</b>	
Physical Dimension	L × W × H: 108 mm × 146 mm × 29mm
Weight	210g